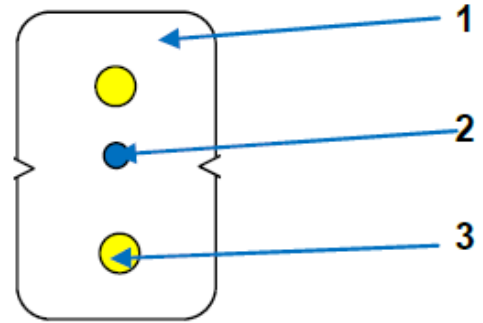
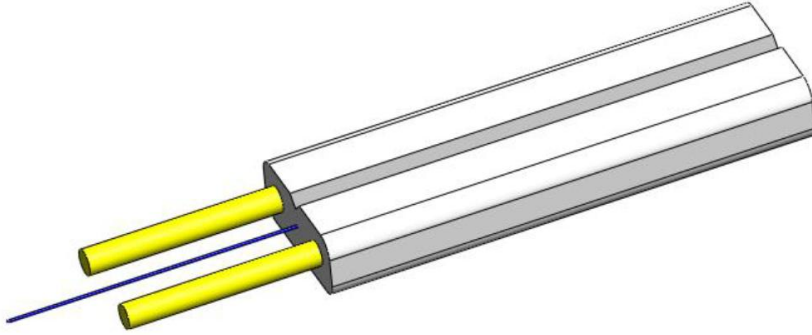


Indoor Drop (ID) Fiber Single-mode Indoor Flat FTTH cable



1. Outer Sheath (**White Low Friction LSZH**)
2. Fiber Core (1 or 2 or 4)
3. Strength Member (**KFRP**)

Description

DME PROLINK's Indoor Drop Fiber cable is designed and manufactured to the highest standards. Available as Single-mode, it provides the bend-insensitivity and robustness essential to a successful FTTH deployment

The Aramid Reinforced Plastic Rod strength member offers more than adequate strength to pull long lengths of this cable while significantly reducing the weight of the cable.

DME PROLINK's Indoor Drop Fiber cable is approved by Service Providers

Features & Benefits

- ✓ Suitable for Indoor Connections within Multi Dwelling Units (MDU)
- ✓ Compact Figure & Easy to Install
- ✓ Small Size and Light Weight
- ✓ KFRP strength-member
- ✓ 250µm Primary Coating
- ✓ LSZH
- ✓ Predictable lifetime of 30 years
- ✓ Designed as per Service Provider Requirement for FTTH Deployments and applications.

Indoor Drop (ID) Fiber

Single-mode Indoor Flat FTTH cable

D114x-IDnFmcs

TECHNICAL DATA

Parameter	Remark
Fiber Type	Single mode G657A1 G657A2 G567B2 G567B3
Fiber Count	1, 2 or 4
Strength Member	KFRP – 2 Nos.
Sheath Material	LSZH
Sheath Color	White
Cable Diameter	Width: $3.0 \pm 0.10\text{mm}$; Height: $2.0 \pm 0.10\text{mm}$
Mode Field Diameter @ 1310nm	$8.6 \pm 0.4\mu\text{m}$
Cladding Diameter	$125 \pm 0.7\mu\text{m}$
Core-Clad Concentricity Error	$\leq 0.5\mu\text{m}$
Cladding Non-Circularity	$\leq 1.0\%$
Primary Coating Diameter	$245 \pm 7\mu\text{m}$

ITU Standards:

The ITU defines 4 classes of G657 fibre as below:

- G657A1 –10mm minimum bend radius, other specs as G652
- G657A2 –7.5mm minimum bend radius, other specs as G652
- G657B2 –7.5mm minimum bend radius, other specs may deviate from G652
- G657B3 –5mm minimum bend radius, other specs may deviate from G652



Technical Assistance
 Middle East - +971 (4) 8118000
www.ecsglobalwire.com



Indoor Drop (ID) Fiber

Single-mode Indoor Flat FTTH cable

D114x-IDnFmcs

TECHNICAL DATA

Parameter		Performance
Attenuation after cabling	@1310nm	≤0.40 dB/km
	@1383nm	≤0.33 dB/km
	@1550nm	≤0.30 dB/km
Chromatic Dispersion	@1285-1330nm	≤3.5 ps/nm.km
	@1550nm	≤18 ps/nm.km
Zero Dispersion Wave-length		1300 to 1324 nm
Zero Dispersion Slope		≤0.092 ps/nm ² .km
Polarization Mode Dispersion		≤0.20 ps/√km
Cable Cut off Wavelength		≤1260 nm
Environmental Characteristics		
Storage / Operating Temperature	-10°C ~ +60°C	
Mechanical Characteristics		
Cable Minimum Dynamic Bending Radius	30 mm	
Cable Minimum Static Bending Radius	15 mm	
Tensile Strength – Installation	150N	
Tensile Strength – Operating	50N	
Cable Weight	10 Kg/Km ± 10 %	



Technical Assistance
 Middle East - +971 (4) 8118000
www.ecsglobalwire.com



Indoor Drop (ID) Fiber

Single-mode Indoor Flat FTTH cable

D	1	1	4	x	-	I	D	n	F	m	c	s
x					Pin assigned by ECS							
0-9					Inventory Management Index							
n								No of Fiber Strand				
1								1				
2								2				
4								4				
m								Mode				
6								OS1				
7								OS2				
c								Sheath Color				
WT								White				
s								Specification				
2D								G.652D				
7A1								G.657A1				
7A2								G.657A2				
7B2								G.657B2				
7B3								G.657B3				

D114x-IDnFmcs

TECHNICAL DATA



Technical Assistance
 Middle East - +971 (4) 8118000
www.ecsglobalwire.com



Indoor Drop (ID) Fiber Single-mode Indoor Flat FTTH cable

D114x-IDnFmcs

TECHNICAL DATA

Web Site: www.ecsglobalwire.com

Corporate Head Office: 3135 - 6900 Graybar Road, Richmond, BC V6W 0A5, Canada • Phone: +1(604)276-9913 Fax: +1(604)276-9915. For a listing of all ECS Global Wire & Cable's Sales Office locations, please refer to our web site.

Middle East Office: Jebel Ali Free Zone (South), Dubai, United Arab Emirates • Phone: +971 (4) 811 8000 Fax: +971 (4) 8809360. Enquires to datacomm@ecsglobalwire.com.

Specifications published here are current as of the date of publication of this document. Because we are continuously improving our products, ECS Global Wire & Cable reserves the right to change specifications without prior notice. At any time, you may verify product specifications by contacting ECS Global Wire & Cable's Regional Head Office in the UAE.

June 2011 Original © 2011 ECS Global Wire & Cable. All Rights Reserved

